



TWISTED THROTTLE.COM

Bolt-On Touring Accessories that fit YOUR motorcycle!

Master Cylinder Guard

Kawasaki KLR 650 A / E

Honda XR 650 L

GRD.08.804.10001/B Rev: 00

Mounting Instructions

TWISTED THROTTLE products should be installed by a qualified, experienced motorcycle technician. If you are unsure of your ability to properly install a product, please have the product installed by your local motorcycle dealer. TWISTED THROTTLE takes no responsibility for damages caused by improper installation.

All screws, bolts, and nuts, including all replacement hardware provided by TWISTED THROTTLE should be tightened to the torque specified in the OEM maintenance manual for your motorcycle. If no torque specifications are provided in the OEM maintenance manual, the following torques may be used:

M5.....	3.5 ft-lbs (5 Nm)
M6.....	7 ft-lbs (9.6 Nm)
M8.....	13 ft-lbs (18 Nm)

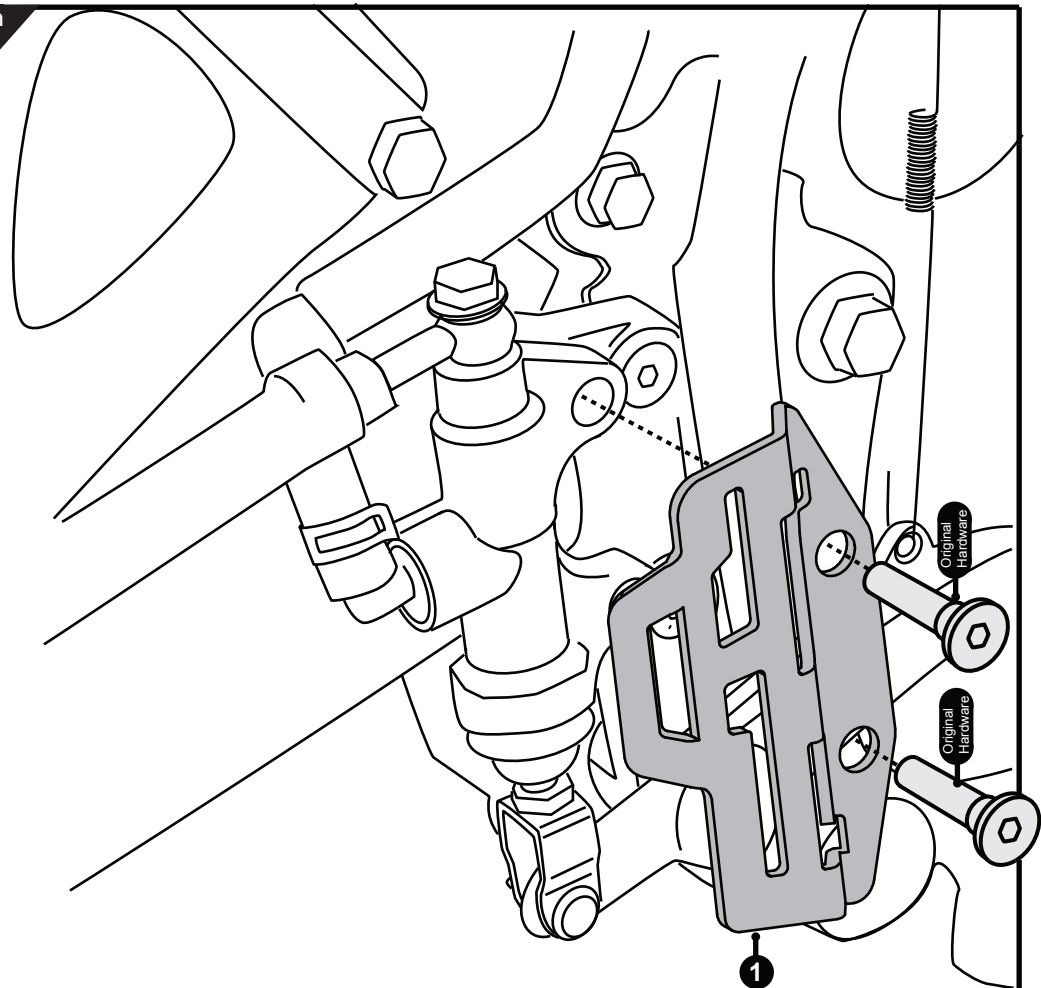
All screws, bolts, and nuts should be checked after driving the first 30 miles (50 km) to ensure that all are tightened to the proper torque.

Medium strength liquid thread-locker (i.e., "Locktite") should be used to secure all screws, bolts, and nuts.

Twisted Throttle LLC
1080 Kingstown Rd, Building 1
Peace Dale, RI 02879

phone: 401.284.4200
fax: 401.223.6955
www.twistedthrottle.com

Driving Direction



1	Guard
	
GRD.08.804.001.....01	
Qty.....1	