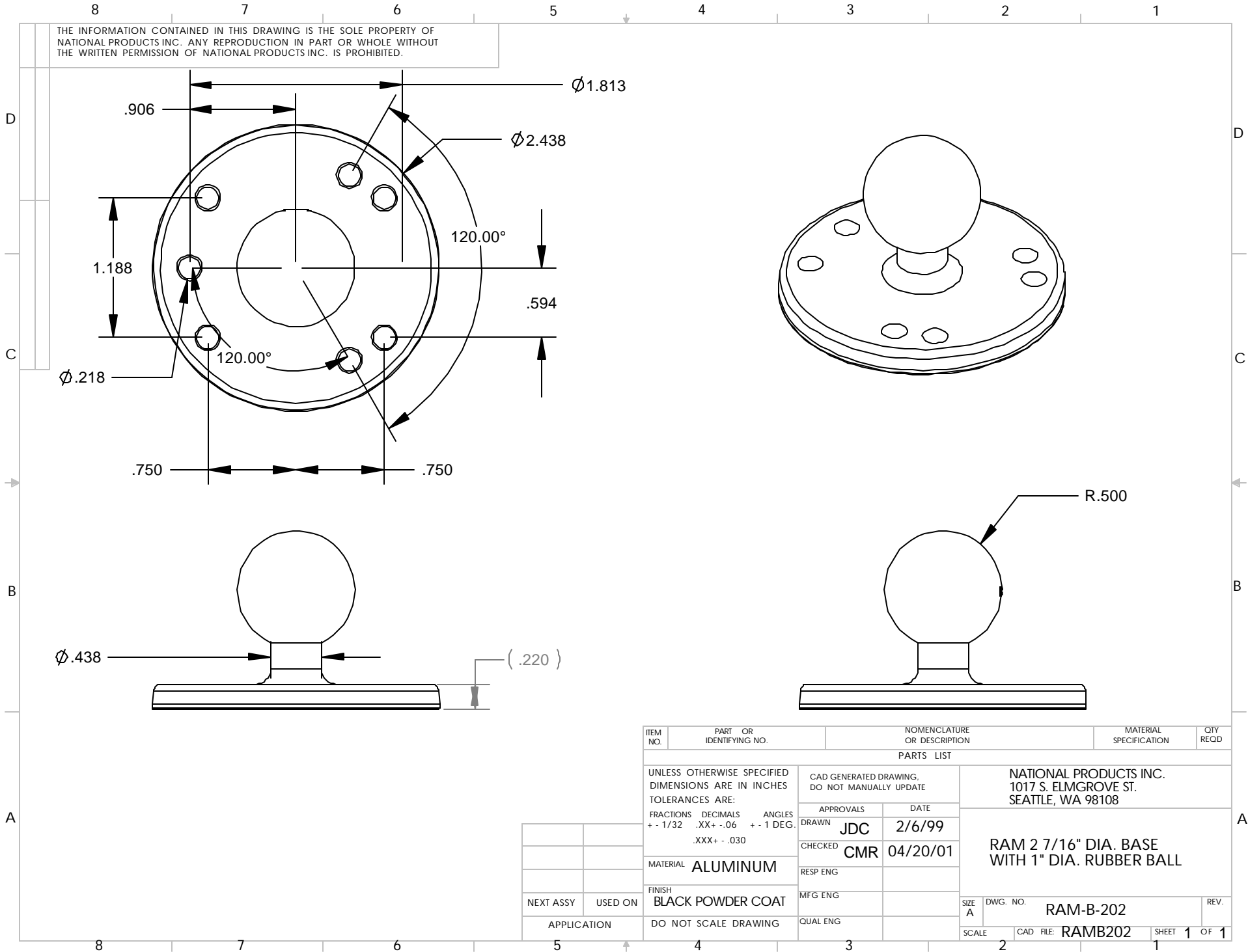


THE INFORMATION CONTAINED IN THIS DRAWING IS THE SOLE PROPERTY OF NATIONAL PRODUCTS INC. ANY REPRODUCTION IN PART OR WHOLE WITHOUT THE WRITTEN PERMISSION OF NATIONAL PRODUCTS INC. IS PROHIBITED.



ITEM NO.	PART OR IDENTIFYING NO.	NOMENCLATURE OR DESCRIPTION	MATERIAL SPECIFICATION	QTY RECD
PARTS LIST				
UNLESS OTHERWISE SPECIFIED DIMENSIONS ARE IN INCHES TOLERANCES ARE:		CAD GENERATED DRAWING. DO NOT MANUALLY UPDATE		NATIONAL PRODUCTS INC. 1017 S. ELMGROVE ST. SEATTLE, WA 98108
FRACTIONS DECIMALS ANGLES + - 1/32 .XX+ -.06 + - 1 DEG. .XXX+ -.030		APPROVALS	DATE	
MATERIAL ALUMINUM		DRAWN JDC	2/6/99	
FINISH BLACK POWDER COAT		CHECKED CMR	04/20/01	RAM 2 7/16" DIA. BASE WITH 1" DIA. RUBBER BALL
NEXT ASSY	USED ON	RESP ENG		
APPLICATION		MFG ENG		
DO NOT SCALE DRAWING		QUAL ENG		
		SIZE A	DWG. NO. RAM-B-202	REV.
		SCALE	CAD FILE: RAMB202	SHEET 1 OF 1